

CNG

FILLING STATIONS





height 105 cm / 41.3"

depth 67 cm / 26.3"

width 70 cm / 27.5"

GAS INLET 3/4" F

EXIT CNG TO CAR TANK
5 mt / 16 feet HOSE AND FILLING NOZZLE



REMOTE ELECTRIC PANEL THREE-PHASE
height 40 cm / 15.7" width 30 cm / 11.8"
depth 20 cm / 7.8"
EQUIPPED WITH 6 mt / 19.6 feet ELECTRIC CABLE
LONGER CABLE ON REQUEST



REMOTE ELECTRIC PANEL SINGLE-PHASE
WITH FREQUENCY DRIVE
height 50 cm / 19.6" width 32 cm / 12.5"
depth 25 cm / 9.8"
EQUIPPED WITH 6 mt / 19.6 feet ELECTRIC CABLE
LONGER CABLE ON REQUEST

FILLING NOZZLE
METHANE FILLING NOZZLE
WITH NGV1 CONNECTION,
WITH DIRECT CONTROL,
SUITABLE FOR
CHARGING PRESSURES
UP TO 300 BAR



MCH5-CNG

AEROTECNICA COLTRI

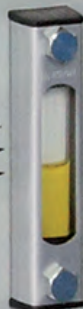
MANOMETRO
3" ØNOM
PRESSURE GAUGE
1 1/2" ØNOM



200 BAR



OIL
LEVEL



MAX



MIN



MCH5



TOP CAN BE OPENED
TO ACCESS
FOR MAINTENANCE



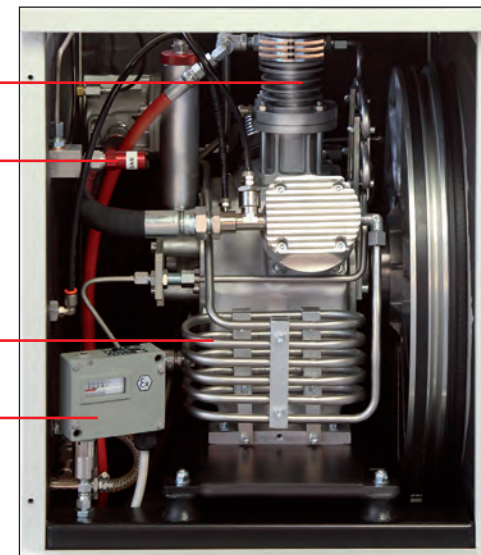
COOLING FAN
WITH
ANTISTATIC BLADES

MAXIFILTER
WITH MOLECULAR SIEVE
AND ACTIVATED CARBON



SINGLE-PHASE REMOTE ELECTRIC PANEL
WITH FREQUENCY DRIVE

INVERTER

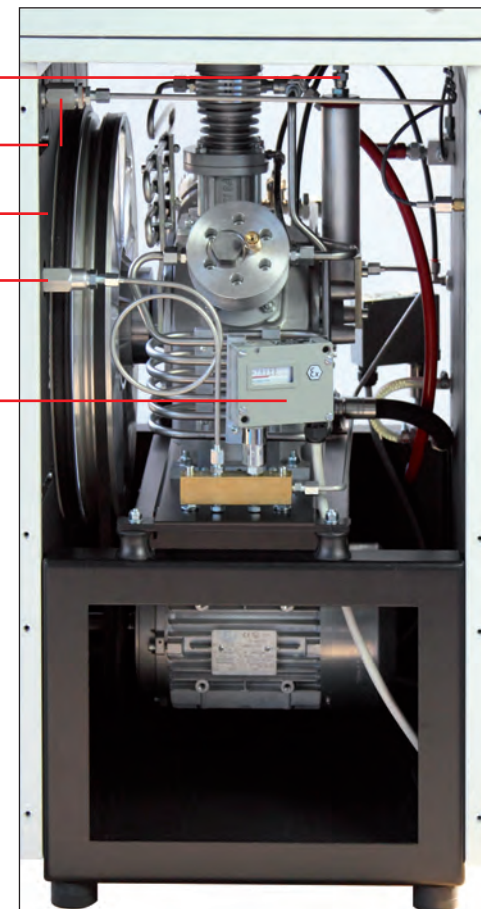


HIGH PRESSURE STAGE

SAFETY VALVE

STAINLESS STEEL
INTERCOOLERS

INTERSTAGE
PRESSURE SWITCH
(2nd STAGE PROTECTION)



CRANKCASE OVERPRESSURE
VENTING VALVE

MAXIFILTER OUTLET

ANTISTATIC BELT DRIVE

MAXIFILTER INLET

FINALE PRESSURE SWITCH
(AUTOSTOP)

FILLING TIME TANK 80 Liters - 0>200 bar : 3 h

WORKING PRESSURE : 200 bar or 250 bar

DRIVEN BY : three-phase or single-phase electric motor (Atex certified Zone 2)

POWER : three-phase 3 Kw (230 V - 50/60 Hz, 400 V - 50 Hz)

single-phase 3 Kw (230 V - 50 /60 Hz)

DIMENSIONS : height 105 cm / 41.3"

width 70 cm / 27.5" - depth 67 cm / 26.3"

DRY WEIGHT : 160 Kg / 352 lbs

NOISE : 65 dB (at 1 m distance)

N° STAGES AND CYLINDERS : 3

LUBRICANT : Coltri Oil CE 750

FRAME : powder coated steel

INTERSTAGE SAFETY PRESSURE SWITCH : 1

FINAL PRESSURE SWITCH : 1

INTERSTAGE COOLERS AND AFTER COOLERS : stainless steel

FILTRATION : maxifilter

MIN/MAX SUCTION PRESSURE : 17 mbar - 200 mbar

DELIVERY TEMPERATURE : ambient temp. + 5 °C

FORCED AIR COOLED

COMPRESSOR RPM : 1240

CODES THREE-PHASE : SC000153/CNG (3 Kw - 400 V / 50 Hz), SC000152/CNG (3 Kw - 230 V / 60 Hz), SC000154/CNG (3 Kw - 230 V / 50 Hz),
SC000155/CNG (3 Kw - 440 V / 60 Hz)

CODES SINGLE-PHASE : SC000166/CNG (3 Kw - 230 V / 60 Hz), SC000165/CNG (3 Kw - 230 V / 50 Hz)

85 L/MIN

5 M³/H

3 CFM



MCH 10



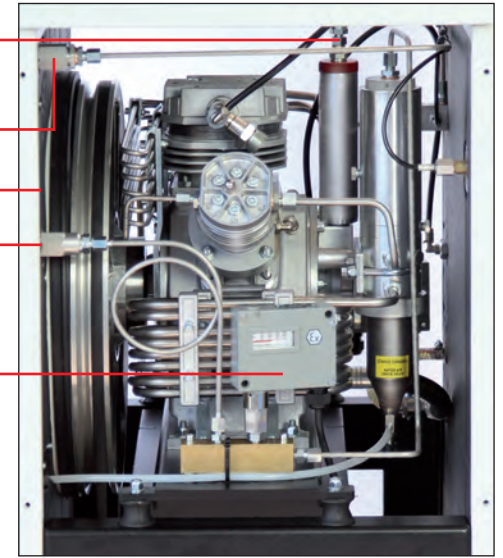
CRANKCASE OVERPRESSURE VENTING VALVE

MAXIFILTER OUTLET

ANTISTATIC BELT DRIVE

MAXIFILTER INLET

FINALE PRESSURE SWITCH (AUTOSTOP)

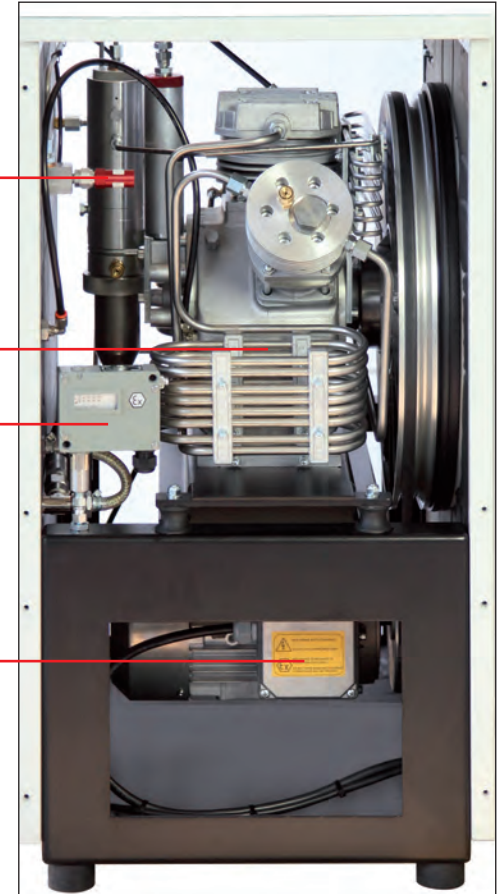


SAFETY VALVE

STAINLESS STEEL INTERCOOLERS

INTERSTAGE PRESSURE SWITCH (2nd STAGE PROTECTION)

ELECTRIC MOTOR ATEX ZONE 2



FILLING TIME TANK 80 Liters - 0>200 bar : **1.5 h**

WORKING PRESSURE : **200 bar or 250 bar**

DRIVEN BY : **three-phase electric motor (Atex certified Zone 2)**

POWER : **4 Kw (400 V - 50 Hz) 5,5 Kw (230 V - 60 Hz)**

DIMENSIONS : **height 105 cm / 41.3"**

width 70 cm / 27.5" - depth 67 cm / 26.3"

DRY WEIGHT : **180 Kg / 396 lbs**

NOISE : **70 dB (at 1 m distance)**

N° STAGES AND CYLINDERS : **3**

LUBRICANT : **Coltri Oil CE 750**

FRAME : **powder coated steel**

OIL/MOISTURE SEPARATORS : **interstage and final**

INTERSTAGE SAFETY PRESSURE SWITCH : **1**

FINAL PRESSURE SWITCH : **1**

INTERSTAGE COOLERS AND AFTER COOLERS : **stainless steel**

FILTRATION : **maxifilter**

MIN/MAX SUCTION PRESSURE : **17 mbar - 200 mbar**

DELIVERY TEMPERATURE : **ambient temp. + 5 °C**

FORCED AIR COOLED

COMPRESSOR RPM : **1300**

CODES : **SC000164/CNG (4 Kw - 400 V / 50 Hz), SC000141/CNG (4 Kw - 230 V / 50 Hz)**

SC000163/CNG (5,5 Kw - 7.5 Hp 230 V / 60 Hz), SC000174/CNG (5,5 Kw - 7.5 Hp 440 V / 60 Hz),

170 L/MIN

10 M³/H

6 CFM

EXIT CNG TO CAR TANK
5 mt / 16 feet HOSE AND FILLING NOZZLE

GAS INLET 3/4" F

REMOTE ELECTRIC PANEL THREE-PHASE
height 40 cm / 15.7" width 30 cm / 11.8"
depth 20 cm / 7.8"
EQUIPPED WITH 6 mt / 19.6 feet ELECTRIC CABLE
LONGER CABLE ON REQUEST



height 105 cm / 41.3"



width 70 cm / 27.5"

depth 67 cm / 26.3"



FILLING NOZZLE
METHANE FILLING NOZZLE
WITH NGV1 CONNECTION,
WITH DIRECT CONTROL,
SUITABLE FOR
CHARGING PRESSURES
UP TO 300 BAR





MCH 14



TOP CAN BE OPENED TO ACCESS FOR MAINTENANCE

REMOTE ELECTRIC PANEL
THREE-PHASE
height 40 cm / 15.7"
width 30 cm / 11.8"
depth 20 cm / 7.8"
EQUIPPED WITH
6 mt / 19.6 feet
ELECTRIC CABLE.
LONGER CABLE
ON REQUEST



COOLING FAN WITH ANTISTATIC BLADES

MAXIFILTER WITH MOLECULAR SIEVE AND ACTIVATED CARBON



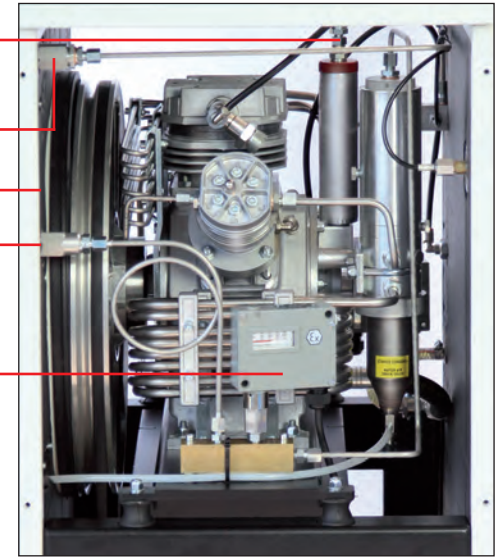
CRANKCASE OVERPRESSURE VENTING VALVE

MAXIFILTER OUTLET

ANTISTATIC BELT DRIVE

MAXIFILTER INLET

FINALE PRESSURE SWITCH (AUTOSTOP)

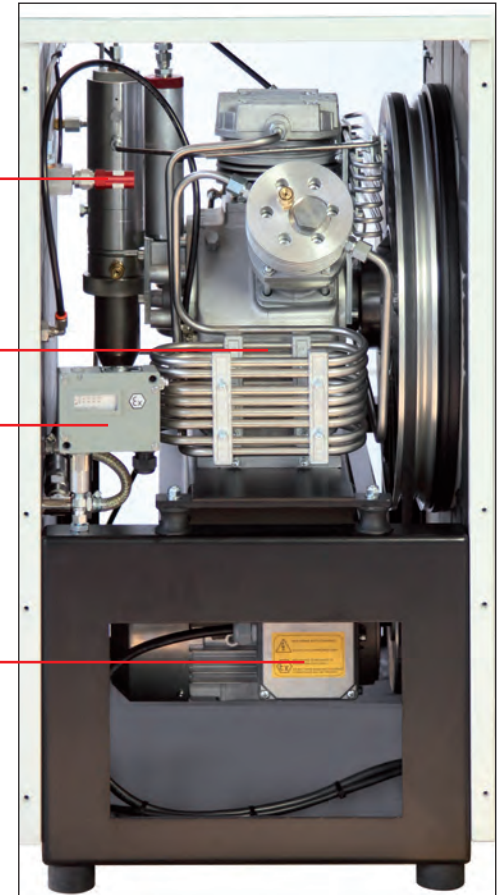


SAFETY VALVE

STAINLESS STEEL INTERCOOLERS

INTERSTAGE PRESSURE SWITCH (2nd STAGE PROTECTION)

ELECTRIC MOTOR ATEX ZONE 2



FILLING TIME TANK 80 Liters - 0>200 bar : 1h

WORKING PRESSURE : 200 bar or 250 bar

DRIVEN BY : three-phase electric motor (Atex certified Zone 2)

POWER : 5,5 Kw (230/400 V - 50/60 Hz)

DIMENSIONS : height 105 cm / 41.3"

width 70 cm / 27.5" - depth 67 cm / 26.3"

DRY WEIGHT : 180 Kg / 396 lbs

NOISE : 70 dB (at 1 m distance)

N° STAGES AND CYLINDERS : 3

LUBRICANT : Coltri Oil CE 750

FRAME : powder coated steel

OIL/MOISTURE SEPARATORS : interstage and final

INTERSTAGE SAFETY PRESSURE SWITCH : 1

FINAL PRESSURE SWITCH : 1

INTERSTAGE COOLERS AND AFTER COOLERS : stainless steel

FILTRATION : maxifilter

MIN/MAX SUCTION PRESSURE : 17 mbar - 200 mbar

DELIVERY TEMPERATURE : ambient temp. + 5 °C

FORCED AIR COOLED

COMPRESSOR RPM : 1550

CODES : SC000156/CNG (5,5 Kw - 7.5 Hp 400 V / 50 Hz), SC000157/CNG (5,5 Kw - 7.5 Hp 230 V / 60 Hz)

240 L/MIN

14 M³/H

9 CFM



VENTING VALVE
FOR RESIDUAL PRESSURE
IN CRANKCASE AND INTERCOOLERS

SUCTION CONNECTOR VALVE
TO NATURAL GAS PIPELINE

INTAKE GAS FILTER

CONDENSATE
DRAIN TANK

COMPRESSOR
OIL LEVEL

MANUAL
CONDENSATE
DRAIN

OPENABLE PANEL

AIR COOLING INTAKE

RUBBER
FEET

height 179 cm / 70"

width 82 cm / 32"

depth 133 cm / 52"

FILLING NOZZLE
METHANE FILLING NOZZLE
WITH NGV1 CONNECTION,
WITH DIRECT CONTROL,
SUITABLE FOR
CHARGING PRESSURES
UP TO 300 BAR



COLTRI
COMPRESSORS
MADE IN ITALY

OIL PRESSURE



MCH24-CNG
AEROTECNICA COLTRI

PRESSURE GAUGE 4 ST
FILLING PRESSURE

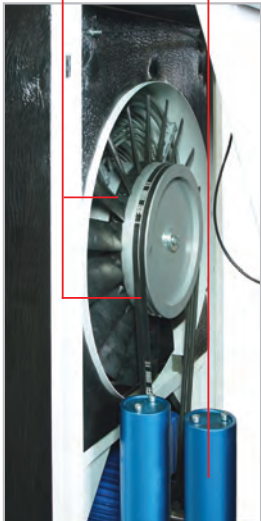


CNG
COMPRESSOR

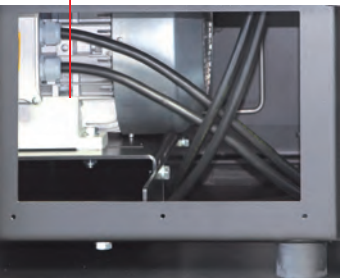
MCH
20-24

COOLING FAN WITH ANTISTATIC BLADES, ANTISTATIC BELT

TWO HIGH PRESSURE FILTER WITH MOLECULAR SIEVE AND ACTIVATED CARBON



9 Kw THREE-PHASE ELECTRIC MOTOR ATEX ZONE 2



GAS INTAKE PIPE

SAFETY INTERSTAGE PRESSURE SWITCH 1st STAGE

SAFETY INTERSTAGE PRESSURE SWITCH 2nd STAGE

4th STAGE HIGH PRESSURE CYLINDER

PUMPING UNIT

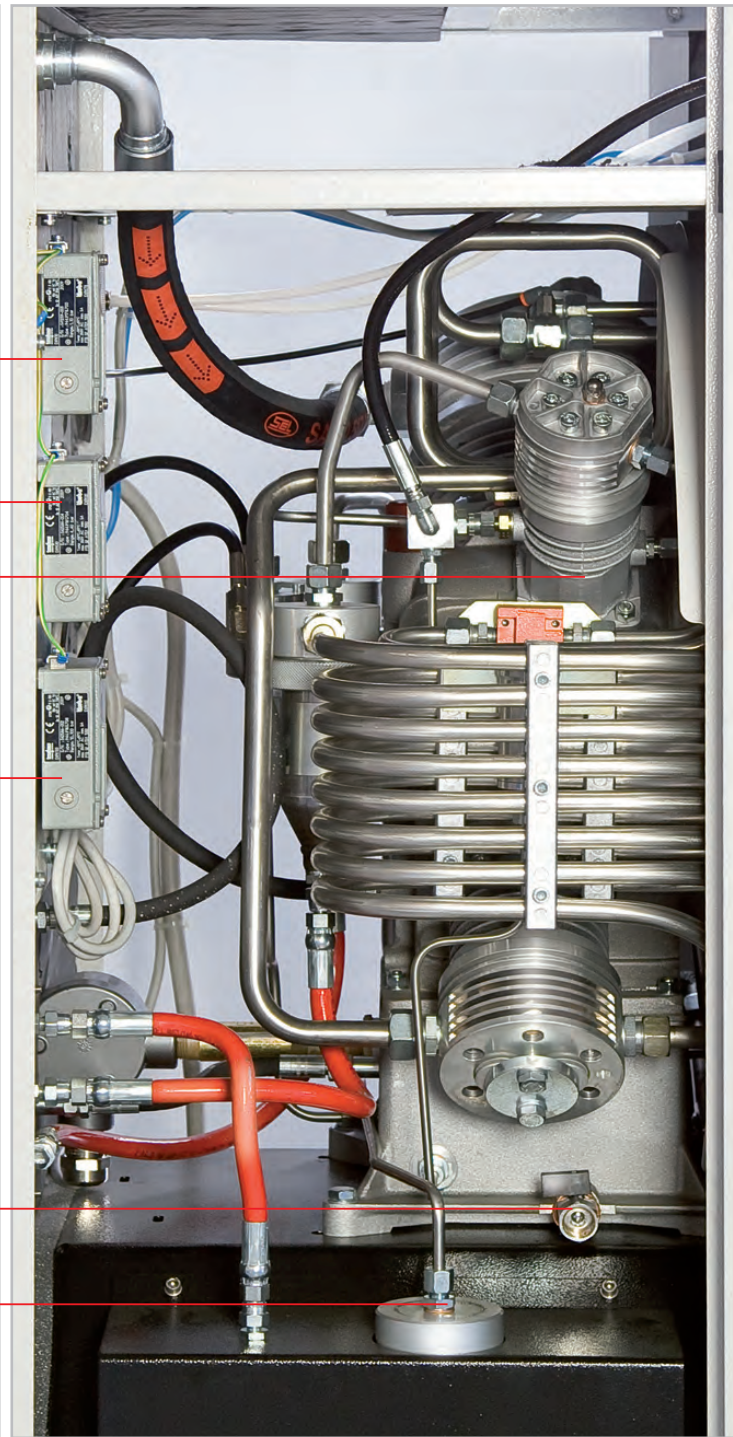
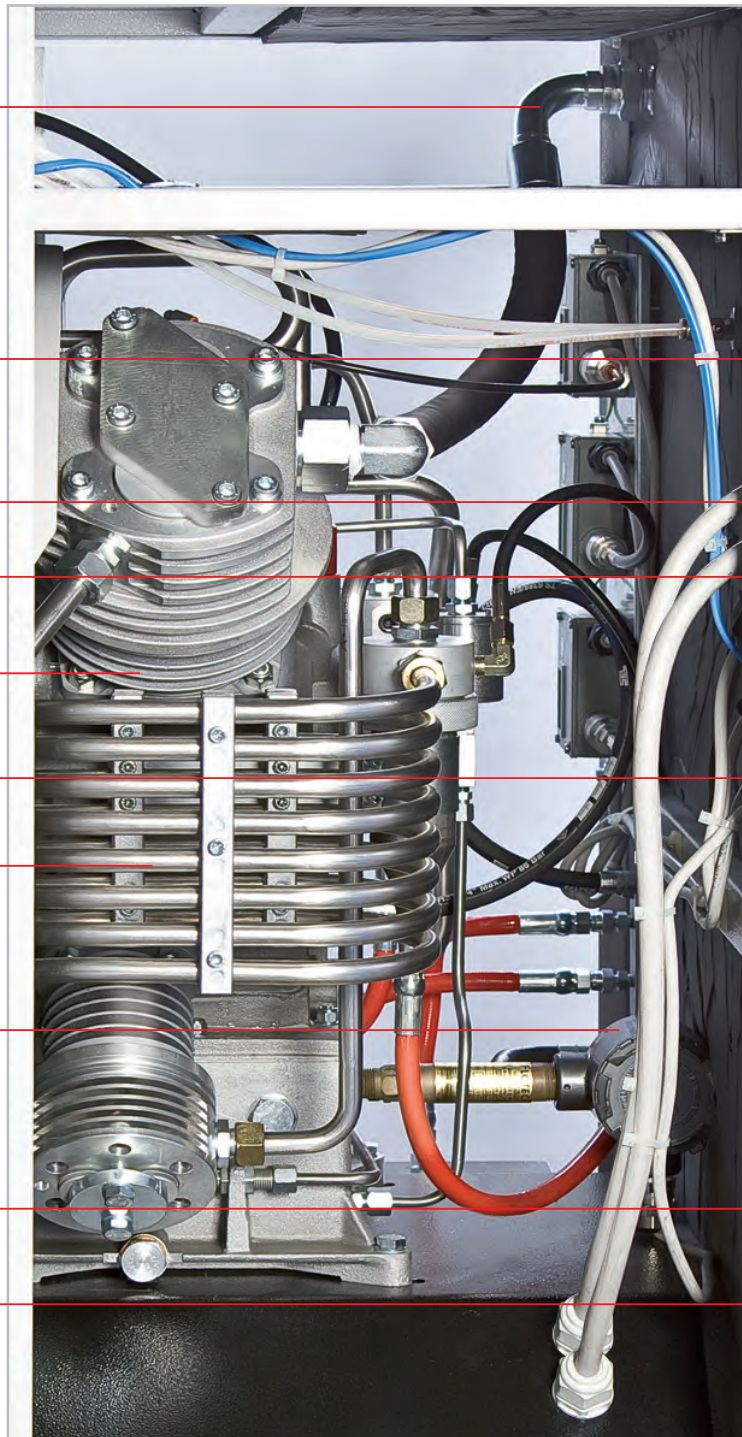
SAFETY INTERSTAGE PRESSURE SWITCH 3rd STAGE

INTERSTAGE INTERCOOLER

AUTOMATIC OIL LEVEL CONTROLLER WITH AUTOSTOP

OIL DRAIN

HIGH PRESSURE SEPARATOR



FILLING TIME TANK 80 Liters - 0>200 bar :

MCH 20 - 48 min / MCH 24 - 37 min

WORKING PRESSURE : 200 bar - 250 bar

DRIVEN BY : *Three-phase electric motor (Atex certified Zone 2)*

POWER : 9 Kw (230/400 V - 50 Hz)

11 Kw / 15 Hp (230/440 V - 60 Hz)

MIN/MAX SUCTION PRESSURE: 17 mbar - 300 mbar

DIMENSIONS : height 179 cm / 70"

width 82 cm / 32" - depth 133 cm / 52"

DRY WEIGHT : 420 Kg / 925 lbs

NOISE : 70 dB (at 1 m distance)

N° STAGES AND CYLINDERS : 4

LUBRICANT : Coltri Oil CE 750

FRAME : Powder coated steel

OIL/MOISTURE SEPARATORS: 3

FILTRATION : 2 Hyperfilter

INTERSTAGE SAFETY PRESSURE SWITCH : 3

FINAL PRESSURE SWITCH : 1

INTERSTAGE COOLERS AND AFTER COOLERS : **Stainless steel**

CODES MCH 20 : SC000184/CNG (9 Kw - 230 V / 50 Hz), SC000187/CNG (9 Kw - 400 V / 50 Hz), SC000143/CNG (11 Kw - 230 V / 60 Hz),
SC000144/CNG (11 Kw - 440 V / 60 Hz)

CODES MCH 24 : SC000127/CNG (9 Kw - 400 V / 50 Hz), SC000142/CNG (9 Kw - 230 V / 50 Hz)

SC000128/CNG (11 Kw - 15 Hp 440 V / 60 Hz), SC000126/CNG (11 Kw - 15 Hp 230 V / 60 Hz),

MCH 20

330 L/MIN

20 M³/H

MCH 24

400 L/MIN

24 M³/H

SYNTHETIC COLTRI OIL CE 750

- EASIER START-UP
- FASTER OIL CIRCULATION
AT LOW TEMPERATURE
- YEAR-ROUND OPERATION
- REDUCED WARM-UP
- CLEANER COMPRESSOR
- HIGHER FILM STRENGTH

PROPERTY

MINIMUM OPERATING RANGE
(ambient temperature) : -10°C

COMPATIBILITY

HYDROGEN - CNG

CODES: SC000498 (5 L), SC000497 (2 L), SC000496 (1 L), SC000495 (1/2 L)



CONSUMABLES

ACTIVATED CARBON

CODE: SC000350/NGV/1L (1 L)



MOLECULAR SIEVE

CODE: SC000380/NGV/1L (1 L)



AIR FILTER CARTRIDGE MCH 3 / 5 / 10 / 14

CODE: SC000440/CNG



AIR FILTER CARTRIDGE MCH 20 / 24 ONLY MOLECULAR SIEVE

CODE: 36-07-034/CNG/1

AIR FILTER CARTRIDGE MCH 20 / 24 MOLECULAR SIEVE/ACTIVATED CARBON

CODE: 36-07-034/CNG/2



OIL FILTER CARTRIDGE MCH 20 / 24

CODE: 36-06-006

FILLING NOZZLE NGV1 INTERNATIONAL TK4

CODE: ADATTATORE/TK4



KIT FELTS MCH 3 / 5 / 10 / 14

CODE: 13-00-0800

KIT FELTS MCH 20 / 24

CODE: 36-00-0800



**CONSUMABLES
& ACCESSORIES**

AEROTECNICA COLTRI® S.p.A.

via dei Colli Storici 177

25010 San Martino della Battaglia

Brescia - ITALY

Tel : +39.030.99.103.01

+39.030.99.102.97

Fax : +39.030.99.10.283

www.aerotecnicacoltri.it

coltrisub@coltrisub.it

Technical features and product range, in this catalogue, can be changed
without pre-notice



Code CATALOGO/CNG/GB
EDITION 03-2013